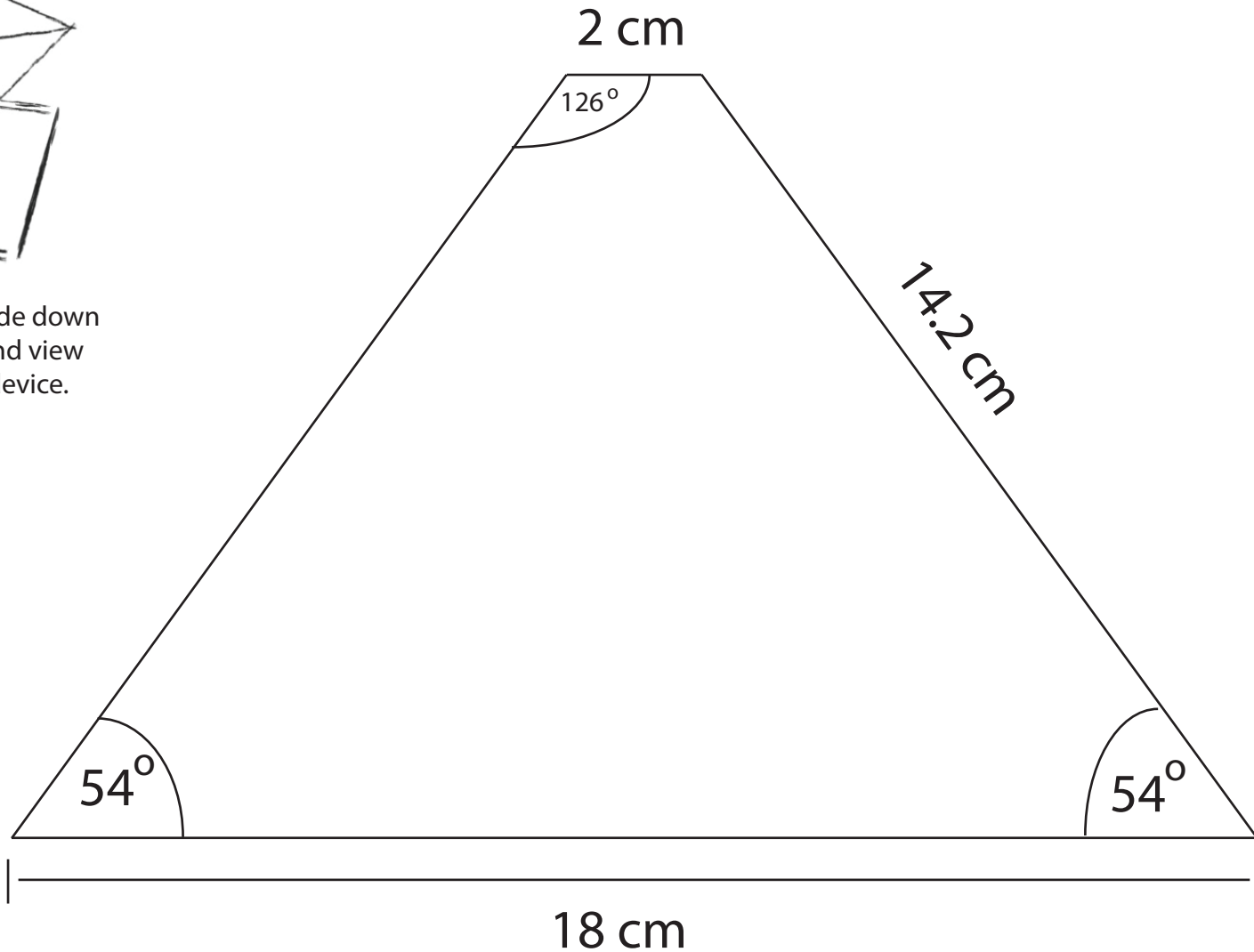


Place your pyramid upside down on a tablet or phone and view videos made for the device.



Pepper's Ghost Pyramid

Use this template for each side of the pyramid.
As long as the angles are the same you can make the pyramid as big or small as you like.